

Board-level Industrial Cameras

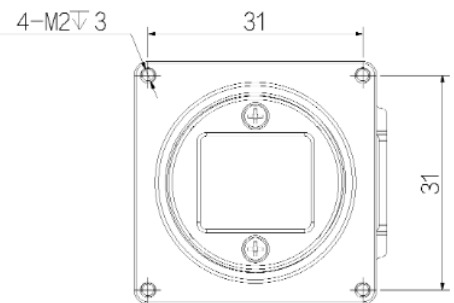
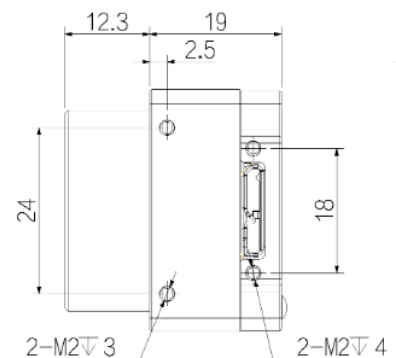
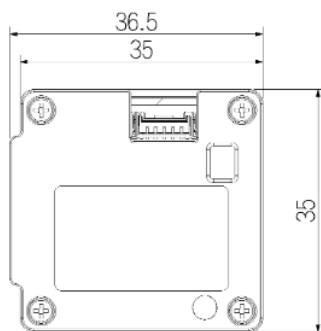
AB5131MU000E

Product Features

- USB3.0 interface, 5Gbps theoretical transfer bandwidth, power supply via USB interface;
- Compact design of 35mm*35mm*19mm;
- 128MB on-board cache for data transmission or image resend;
- Support Software Trigger/Hardware Trigger/Free Run Mode;
- Support ISP functions including Sharpness/Denoising/Gamma/LUT/BlackLevel Correction/TargetBrightness/Contrast etc.;
- Support multiple image data formats output/Binning/Mirror, etc.;
- Conform to USB3.0 Vision protocol and GenICam standard;
- Conform to CE, FCC, RoHS;



Dimensions (mm)



Technical Specifications

Model Name	AB5131MU000E
Sensor	PYTHON 1300
Sensor Type	1/2"CMOS
Shutter	Global
Resolution	1280 x 1024
Frame Rate	208
Bit Depth	10
Mono/Color	Mono
Pixel Size	4.8x4.8
Pixel	1.3MP
S/N Ratio	38dB
WDR	60dB
Image Format	Mono8/10/10Packed
Binning	Support
ROI	Support
X-axis Flip	Support
Y-axis Flip	Support
Gain	1~32
Gamma	from 0 to 4, support LUT
Exposure Time	40μS~1S
Sync Mode	Software Trigger/Hardware Trigger/Free Run Mode
SPC	Support
FPN	Support
User Setting	Support two sets of user-defined configurations
Cache	64MB image cache
Port	USB3.0
GPIO	Standard 5 pin trigger connector: 1x Opto-isolated input, 1x Opto-isolated output, 1 configurable input and output
Lens Mount	C-mount
Power Supply	power supply via USB interface (conform to USB3.0 interface specification)
Power Consumption	12V≈3.4W
Dimensions	35mm*35mm*19mm (not including lens mount)
Weight	46g
Working Environment	Storage: - 30°C~+80°C; Operation: - 30°C~+50°C

© 2021 IRAYPLE. All rights reserved. Design and specifications are subject to change without notice.
Pictures in the document are for reference only, and the actual product shall prevail.